

# Armstrong & Holmes

## Estate & Amenity Trailer



**Innovative design & high build quality combine to produce a versatile, multi-purpose tipping trailer specifically designed for use with a 4 x 4 vehicle, or large car.**

**It is ideal for the transportation of light, yet bulky, materials such as horse manure, grass or hedge clippings, bark chippings, garden, cardboard or general waste. The low loading height and rear ramp also make it suitable for transporting large garden machinery.**



- Galvanised steel construction for easy cleaning, low maintenance & long life.
- Split rear doors fold down to form a half or full width ramp and open to either side of the trailer when tipping.
- Low loading height 330mm (13")
- Twin axle configuration for greater towing stability and better load distribution when tipping.
- The mounting position of the tipping rams ensures that the body weight is kept close to the rear axle to give maximum stability during tipping.
- Built-in electric/hydraulic tipping unit with 12 volt battery as standard.
- Optional canvas canopy prevents light material being blown away during transport and keeps the trailer contents dry, to prevent the production of excessive liquid effluent.

Quality



Reliability



Value for Money

# Armstrong & Holmes

## Designed to perform - built to last



### Standard Specification

**Axles:** 1300kg capacity , rubber suspension, 4 stud fixing.

**Tyres:** 165 R13C steel-belted radials 8 ply.

**Brakes:** Over-run with auto reverse.

**Lights:** Full road lighting.

**Weight with canopy:** 840kg.

**Gross Vehicle Weight:** 2600 kg.

**Carrying capacity:** 1680 kg.

**Tipping mechanism:** Electric/hydraulic inc.12v battery.

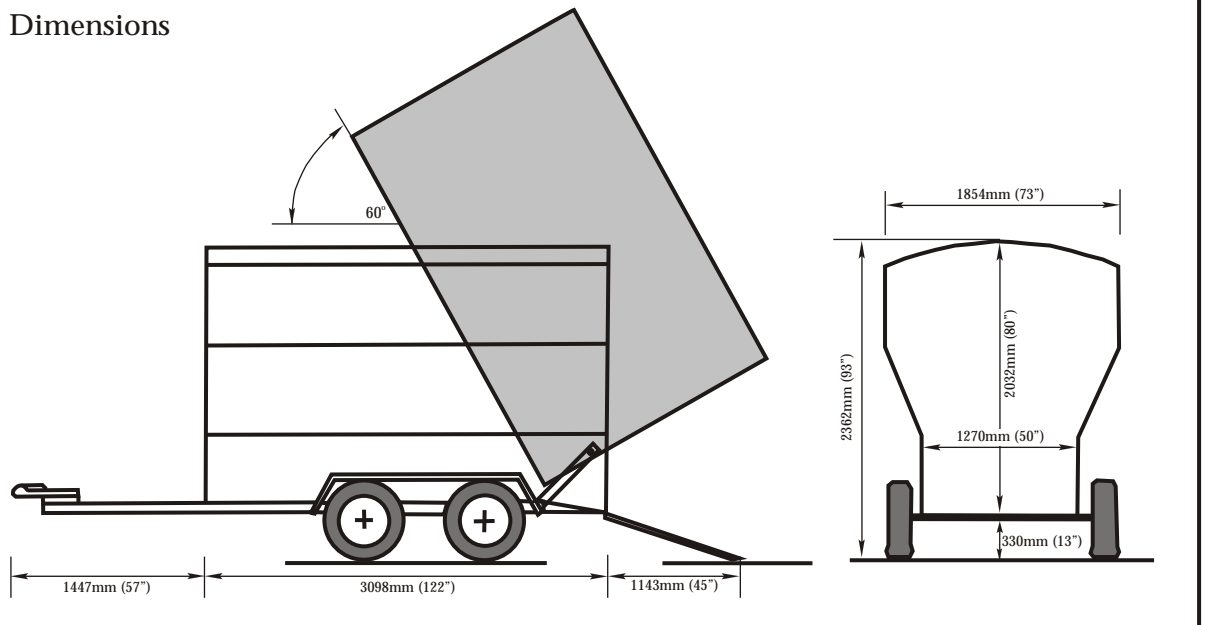
### Optional Equipment

Canvas Canopy

Spare Wheel.



### Dimensions



Agricultural Machinery & Equipment Manufacturers

## Armstrong & Holmes Ltd.

Fulbeck, Grantham, Lincolnshire

Tel: 01400 261061 Fax: 01400 262289

## Armstrong & Holmes

www.FarmTrailers.co.uk  
email: anne@FarmTrailers.co.uk